



180 Lafayette Road
 North Hampton, NH 03862-2448
 PH: 603-964-3165
 FX: 603-964-3168
 WWW.PDEELECTRONICS.COM

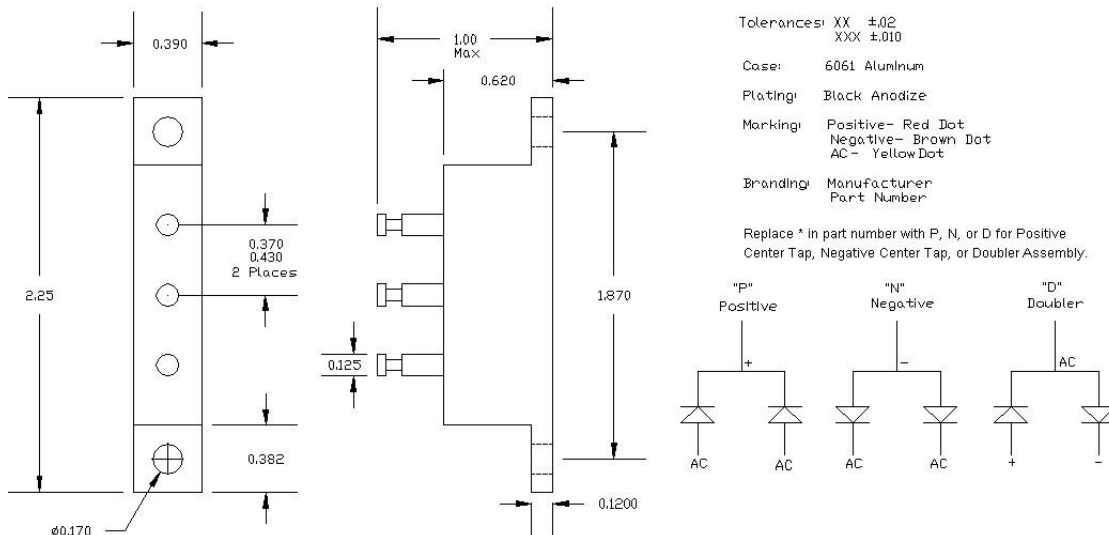
Center Tap and Doubler Assemblies

General Purpose, Fast Recovery, Super Fast Recovery
 SHCPA, SHCNA, SHCDA Series

ELECTRICAL CHARACTERISTICS

Specifications					Absolute Max Ratings							
Part Number	PIV	Reverse Current I _R		Reverse Recovery Time (1) T _{rr}	Forward Voltage V _F (2)	Average DC Output Current I _o		Average DC Output Current I _o			Peak Single Cycle Surge Current (3) I _{FSM}	Peak Recurring Surge Current I _{FRM}
		T _C =25°C	T _C =100°C	T _A =25°C	T _C =25°C	T _C =55°C	T _C =100°C	T _A =25°C	T _A =55°C	T _A =100°C	T _C =25°C	T _C =25°C
	Volt	µAmp		nS	Volt	Amp		Amp			Amp	Amp
SHC*A05	50	10	250	5000	1.0	40	26	12.5	10	6.5	375	165
SHC*A10	100	10	250	5000	1.0	40	26	12.5	10	6.5	375	165
SHC*A20	200	10	250	5000	1.0	40	26	12.5	10	6.5	375	165
SHC*A40	400	10	250	5000	1.0	40	26	12.5	10	6.5	375	165
SHC*A60	600	10	250	5000	1.0	40	26	12.5	10	6.5	375	165
SHC*A80	800	10	250	5000	1.1	40	26	12.5	10	6.5	375	165
SHC*A100	1000	10	250	5000	1.1	40	26	12.5	10	6.5	375	165
SHC*A10FR	100	10	250	150	1.15	36	23.5	11.5	9.0	6.0	300	130
SHC*A20FR	200	10	250	150	1.15	36	23.5	11.5	9.0	6.0	300	130
SHC*A40FR	400	10	250	150	1.15	36	23.5	11.5	9.0	6.0	300	130
SHC*A60FR	600	10	250	150	1.15	36	23.5	11.5	9.0	6.0	300	130
SHC*A80FR	800	20	250	175	1.30	32	21	10.4	8.0	5.5	300	150
SHC*A100FR	1000	20	250	175	1.30	32	21	10.4	8.0	5.5	300	150
SHC*A20S7	200	20	250	70	1.30	32	21	10.4	8.0	5.5	300	150
SHC*A40S7	400	20	250	70	1.30	32	21	10.4	8.0	5.5	300	150
SHC*A60S7	600	20	250	70	1.30	32	21	10.4	8.0	5.5	300	150
SHC*A05HE	50	20	250	40	0.95	44	28.5	14	11	7.0	425	185
SHC*A10HE	100	20	250	40	0.95	44	28.5	14	11	7.0	425	185
SHC*A15HE	150	20	250	40	0.95	44	28.5	14	11	7.0	425	185

- (1) I_F=.5A, I_R=1A, I_{RR}=.25A , tested on discretes prior to assembly
- (2) I_f= 9A (300µS Pulse, duty cycle<2%)
- (3) t_p=8.3mS, Single Half Cycle Sine Wave



THERMAL CHARACTERISTICS

Operating and Storage Temperature.....	-55°C to +150°C
Thermal Impedance (typical).....	1.5°C/W

Specifications subject to change without notice to ensure a better product
PD&E Electronics 180 Lafayette Rd. North Hampton, NH 03862
 Ph: (603) 964-3165 Fx: (603) 964-3168 Web: WWW.PDEELECTRONICS.COM